

Choosing a Boat Cover

Measuring your boat

1. Measure the length

Measure the centreline length using a straight measurement from bow to stern.

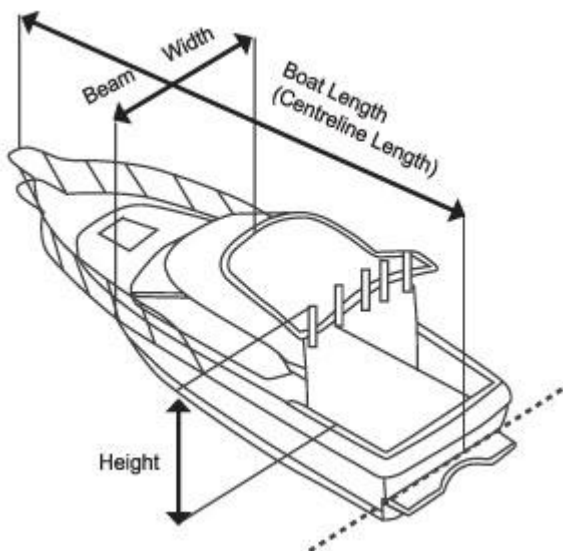
2. Measure the width

Measure a straight line across the widest point of your boat.

3. Measure the height (from gunwale)

Measure a straight line from highest point of your boat to the deck line.

NOTE: It is best to use both Measuring Instructions and Overall Fabric Measurements to ensure you choose the correct cover size for your boat.



Overall Fabric measurements

1. Measure the width

Take the overall fabric width of your suggested cover and compare it by measuring across widest point on your boat and across the highest point of boat fittings (i.e. windscreens, cabins) to the point on the hull where the hem of the cover will finish.

2. Measure the LENGTH

Take the overall fabric width of your suggested cover and compare it by measuring across the length of your boat from bow to stern, and across the highest point of any fittings (windscreens, cabins, etc.) to the point on the hull where the hem of the cover will finish.

